

Crosswise Convection Gas Convection Oven, 10 GN1/1

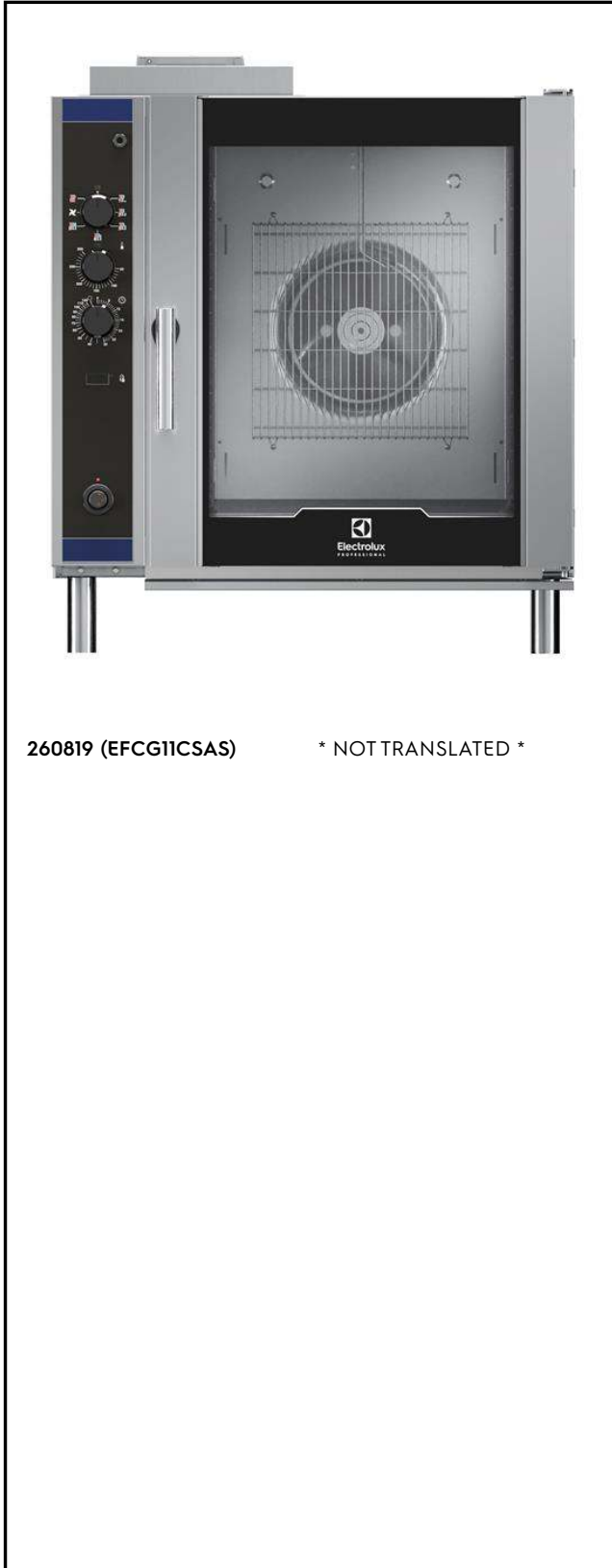
ITEM # _____

MODEL # _____

NAME # _____

SIS # _____

AIA # _____



260819 (EFCG11CSAS)

* NOT TRANSLATED *

Main Features

- Main switch/Cooking mode selector which can be used to set: ON/OFF, hot air without humidification and hot air with humidification (choice of 5 different humidity levels).
- Rapid cooling of oven cavity.
- Timer to set the cooking time, adjustable up to 120 minutes or for continuous operation with an acoustic alarm to show the cycle has finished. At the end of the set cooking time the heat and the fan are automatically switched off.
- Maximum temperature of 300°C.
- Perfect evenness: guarantees perfect distribution of heat throughout the oven cavity.
- Halogen lighting and "crosswise" pan supports allow clear and unobstructed view of the products being cooked.
- Food temperature probe (available as accessory).
- Drip tray to collect residual cooking juices and fat.
- Drip tray under the door to collect condensed liquid available as accessory.
- Capacity: 10 GN 1/1 trays.

Construction

- Robust structure thanks to stainless steel construction.
- Cooking chamber in 430 AISI stainless steel.
- Double thermo-glazed door with open frame construction, for cool outside door panel. Swing hinged easy-release inner glass on door for easy cleaning.
- Ergonomic door handle.
- Integrated drain outlet.
- 1 pair of 60 mm pitch runners is supplied as standard.
- IPx4 water protection.

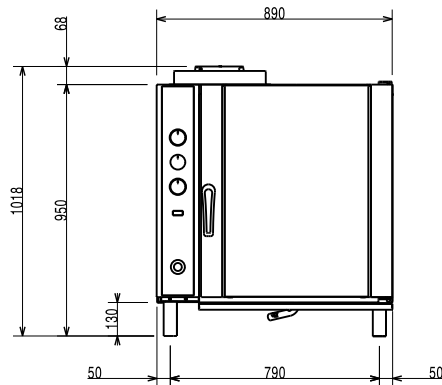
Optional Accessories

- Pair of 1/1GN AISI 304 stainless steel grids PNC 921101
- Support for 1/2GN pan (2pcs) PNC 921106
- Flue condenser for gas ovens 10x1/1-2/1 PNC 921701
- Probe for ovens 6 and 10x1/1GN PNC 921702
- Guide kit for 1/1GN drain pan PNC 921713
- Pair of AISI 304 stainless steel grids, GN 1/1 PNC 922017
- Pair of grids for whole chicken (8 per grid - 1,2kg each), GN 1/1 PNC 922036
- AISI 304 stainless steel grid, GN 1/1 PNC 922062
- Base for oven 10x1/1GN PNC 922102
- Shelf guides for 10x1/1GN, ovens base PNC 922106
- Base on castors for 10x1/1GN ovens PNC 922114
- Feet for ovens 6x1/1GN, 10x1/1 and 2/1GN PNC 922127

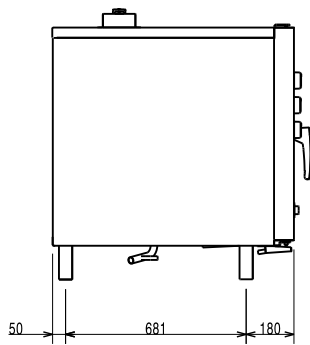
APPROVAL: _____

- Retractable hose reel spray unit PNC 922170
- External side spray unit (needs to be PNC 922171
 mounted outside and includes
 support to be mounted on the oven)
- Fat filter for 10 1/1 and 2/1 GN combi PNC 922178
 steamers (gas and electric) and
 convection ovens (electric)
- Pair of frying baskets PNC 922239
- Grid for whole chicken (8 per grid - PNC 922266
 1,2kg each), GN 1/1
- Kit universal skewer rack and 6 short PNC 922325
 skewers for Lengthwise and
 Crosswise ovens
- Universal skewer rack PNC 922326
- 6 short skewers PNC 922328
- Smoker for lengthwise and crosswise PNC 922338
 oven (4 kinds of smoker wood chips
 are available on request)
- Mesh grilling grid PNC 922713
- Non-stick universal pan, GN 1/1, PNC 925000
 H=20mm
- Non-stick universal pan, GN 1/ 1, PNC 925001
 H=40mm
- Non-stick universal pan, GN 1/1, PNC 925002
 H=60mm
- Double-face griddle, one side PNC 925003
 ribbed and one side smooth, GN 1/1
- Aluminum grill, GN 1/1 PNC 925004
- Frying pan for 8 eggs, pancakes, PNC 925005
 hamburgers, GN 1/1

Front

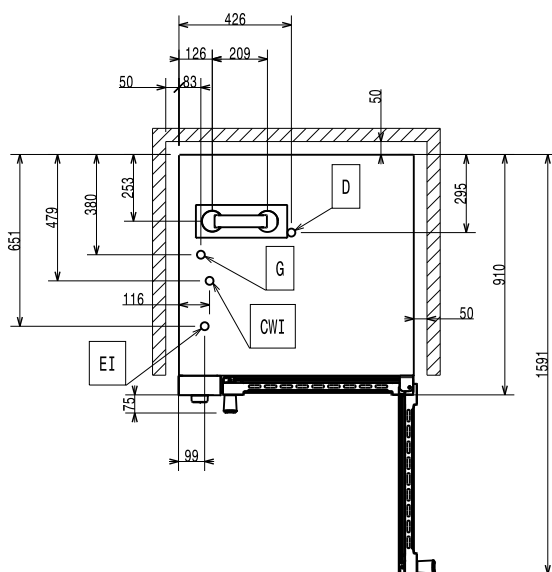


Side



CWI1 = Cold Water inlet 1 (cleaning) G = Gas connection
 CWI2 = Cold Water Inlet 2 (steam generator)
 D = Drain
 EI = Electrical inlet (power)

Top



Electric

Supply voltage: 220-230 V/1 ph/50 Hz
 Auxiliary: 0.35 kW
 Electrical power max.: 0.35 kW

Gas

Gas Power: 18.5 kW

Capacity:

Trays type: 10 (GN 1/1)

Key Information:

External dimensions, Width: 890 mm
 External dimensions, Depth: 900 mm
 External dimensions, Height: 970 mm
 Net weight: 136 kg
 Functional level: Basic
 Cooking cycles - air-convection: 300 °C
 Internal dimensions, Width: 590 mm
 Internal dimensions, Depth: 479 mm
 Internal dimensions, Height: 680 mm

Crosswise Convection
Gas Convection Oven, 10 GN1/1

The company reserves the right to make modifications to the products without prior notice. All information correct at time of printing.